

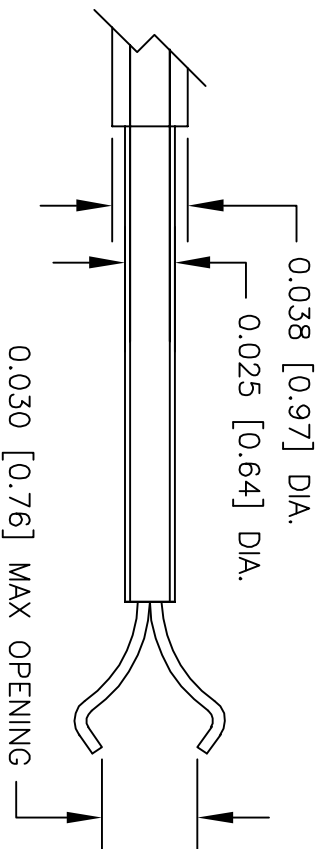
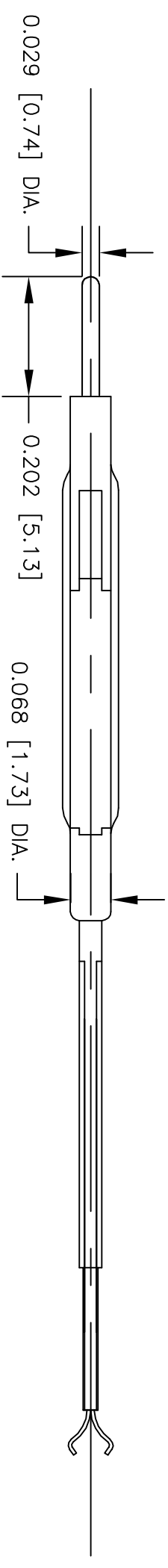
NOTES: UNLESS OTHERWISE SPECIFIED

1. CONSTRUCTION:

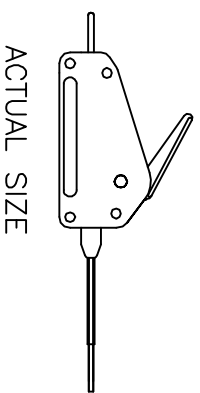
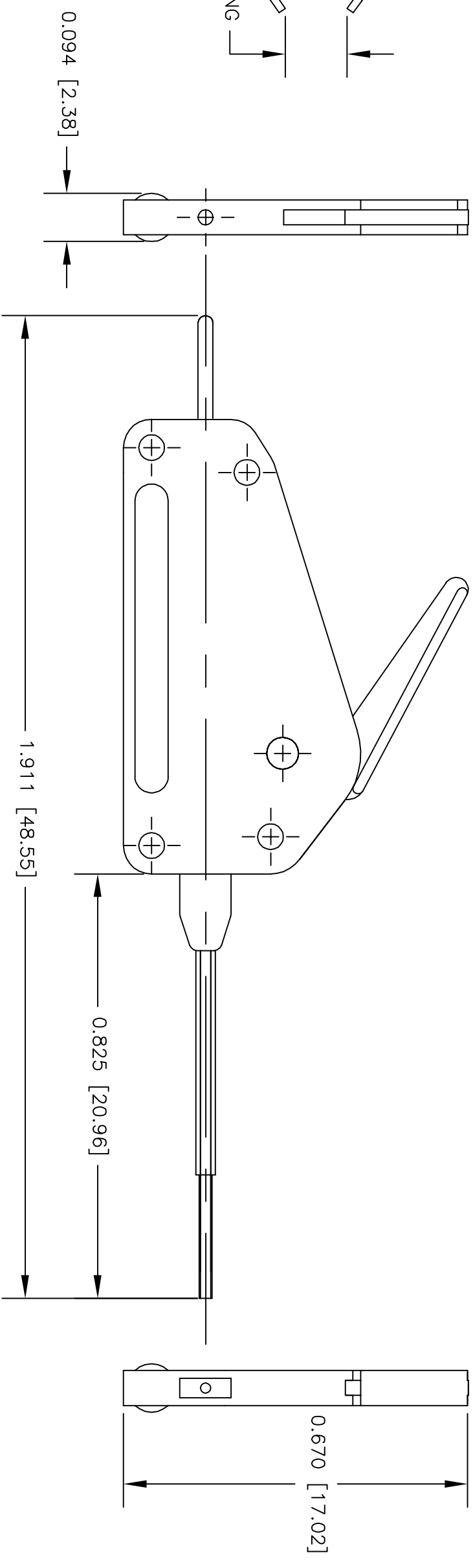
HOUSING: MOLDED NYLON TYPE 6,6. EDM FINISH.
 TIP TUBING: INSULATED STAINLESS STEEL.
 PIN PLUG: GOLD PLATED COPPER ALLOY.
 HOOK: MUSIC WIRE.

2. FEATURES:

USED WITH PQFP PACKAGES UP TO 0.050 [1.27] LEAD PITCH.
 THIN BODY WIDTH ALLOWS MANY PQFP CLIPS TO BE
 MOUNTED SIDE BY SIDE AND SIMULTANEOUSLY TESTED.
 AVAILABLE IN TEN COLORS.



HOOK DETAIL
 SCALE: 10:1



ACTUAL SIZE

UNLESS OTHERWISE SPECIFIED DIMENSIONS ARE IN INCHES TOLERANCES ARE: FRACTIONS DECIMALS ANGLES		CONTRACT NO.		E-Z-HOOK DIVISION OF TEKTEST INC. ARCADIA, CA 91006 U.S.A.	
± .XX ±	± .XXX ±	APPROVALS	DATE		
MATERIAL SEE NOTE.		DRAWN	6/09	DESCRIPTION E-Z-MICRO DOUBLE TEST CONNECTOR	
FINISH SEE NOTE.		APPROVED BY			
DO NOT SCALE DRAWING				SIZE CODE IDENT NO. DRAWING NO.	REV
				B 08505 X2015COLOR	
				SCALE 4:1	SHEET 1 OF 1